



LPM S
USA

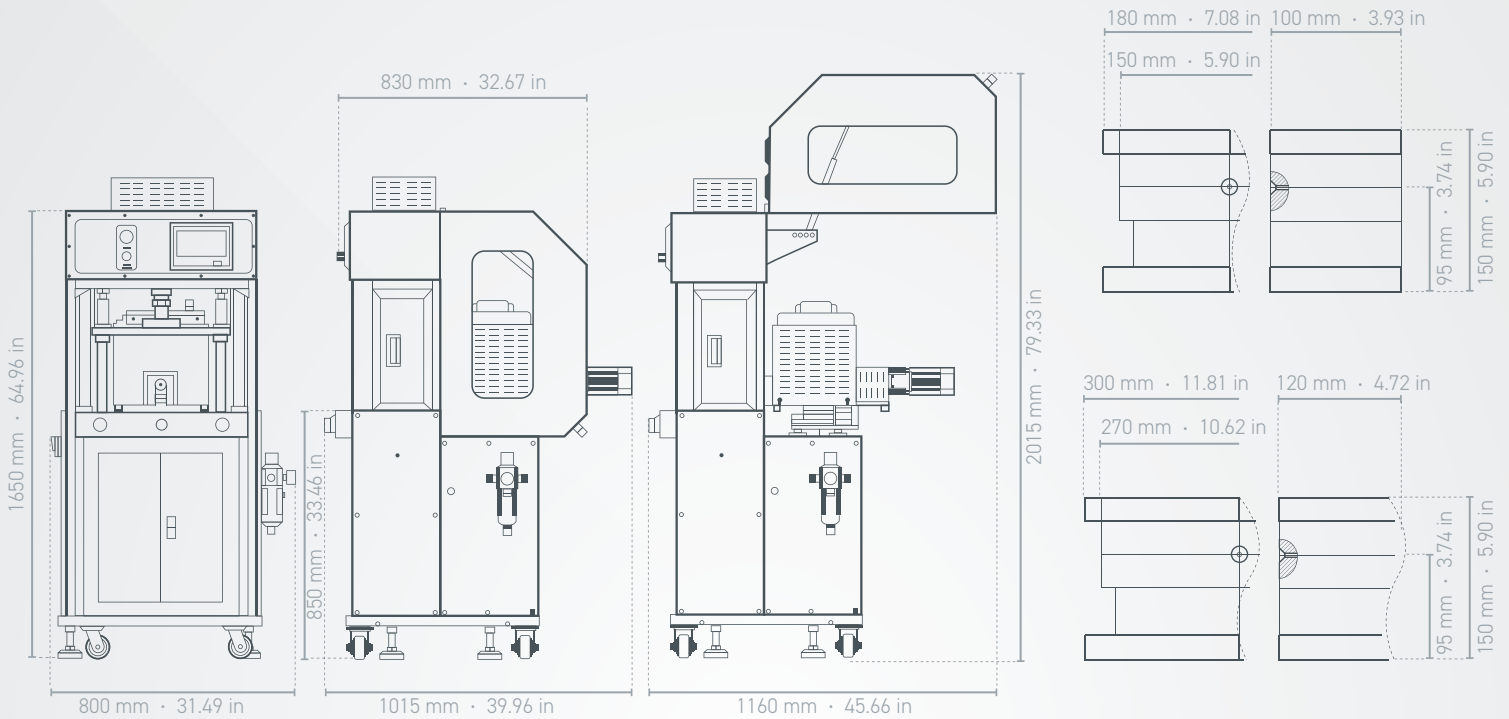
Low Pressure Molding
Solutions from Design
to Production

BETA 600

Mobile, horizontal-injection system
with integrated melt-tank

- ◆ Horizontal-injection system with a single injection gun
- ◆ Compact design with integrated melt-tank
- ◆ 7.5" touchscreen with multi-language capabilities
- ◆ Two thermal zones for precise melt control
- ◆ Equipped with programmable ejection system
- ◆ Equipped with a safety-light curtain and side doors for operator safety

Dimensions



Machine

Mold Set

Specifications

Machine Size	850 × 830 × 1651 mm · 33.46 × 32.68 × 65.0 in · 705 lbs
Electricity	200-240 VAC · 1 Phase · 50 or 60 Hz · 25 A
Air Input	30-100 psi
Air Required	> 90 psi
Clamping Method	Pneumatic
Clamping Force	1.2 Tons
Clamping Stroke	125 mm · 150 mm
Max. Mold Size	Standard: 250 × 190 × 125 mm · Upgraded Cylinder: 250 × 190 × 150 mm
Platen Size	250 × 190 mm
Nozzle	LPMS-G02
Safety Features	Two-hand actuation · E-stop button · Light curtain · Safety doors
Melt Tank Quantity / Volume	One integrated · 5L or 7L
Temperature Control Zones	2